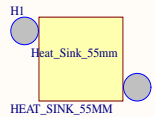


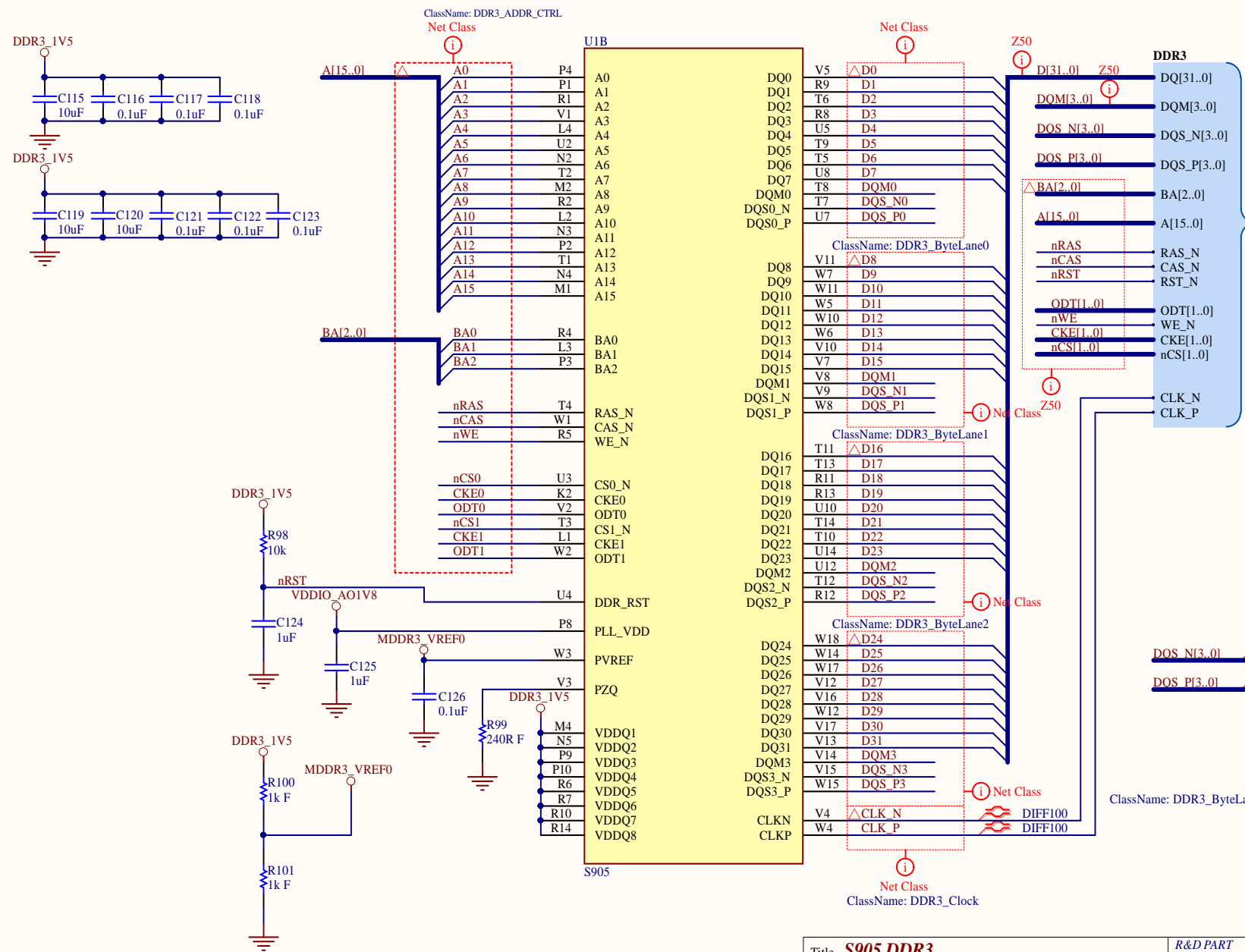
**Mounting Holes**

- MH1  
MOUNTING HOLE 3MM
- MH2  
MOUNTING HOLE 3MM
- MH3  
MOUNTING HOLE 3MM
- MH4  
MOUNTING HOLE 3MM

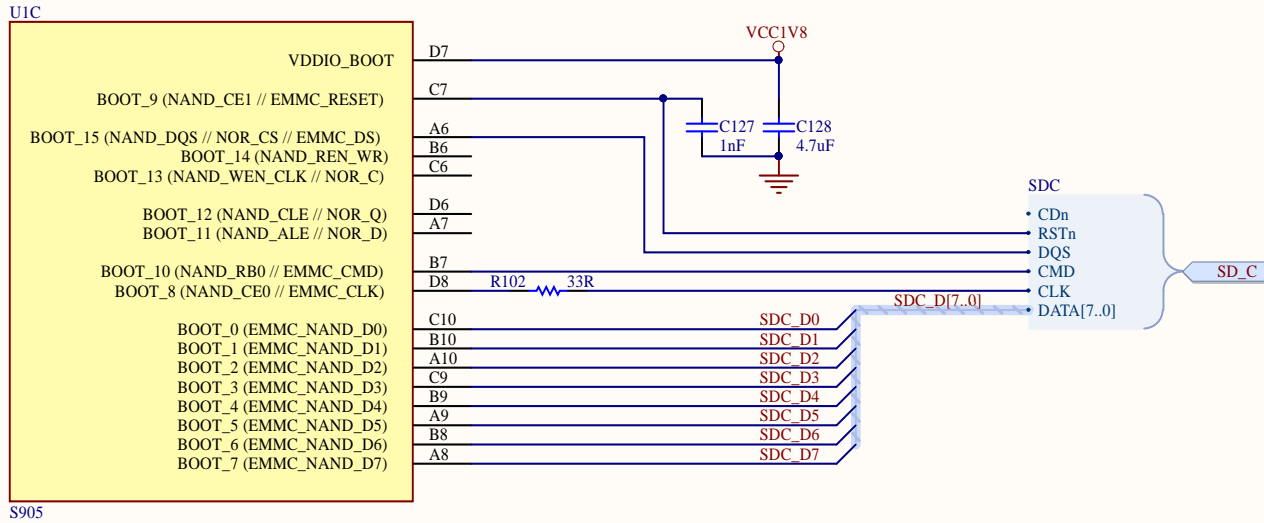
**Heat Sink**




GPIOY.BIT1	GPIOY.BIT0	Revision
0	0	0.1
0	1	0.2
1	0	0.3
1	1	0.4

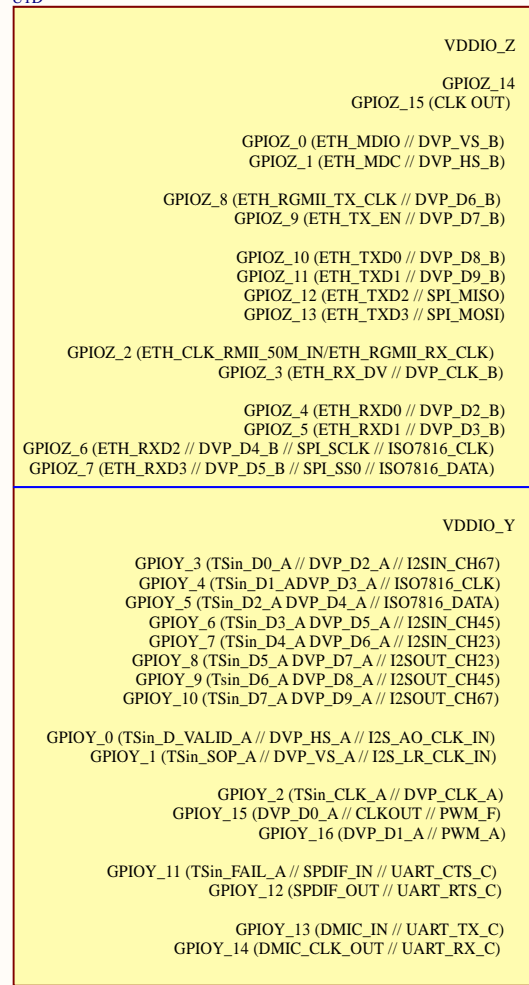


Title <b>S905 DDR3</b>			R&D PART 704 Anyang K-center 1591-9 Burim Dongan Gu Gyeonggido South Korea Designed by: ruppi.kim@hardkernel.com	
Size: A4	Number: 5	Revision: 0.3		
Date: 2018-01-23	Time: 오전 11:46:48	Sheet 5 of 26		
File: S905_DDR3.SchDoc				

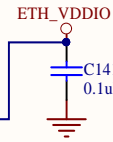



Title <b>S805 FLASH</b>			R&D PART 704 Anyang K-center 1591-9 Burim Dongan Gu Gyeonggido South Korea Designed by: <a href="mailto:ruppi.kim@hardkernel.com">ruppi.kim@hardkernel.com</a>	
Size: A4	Number: 6	Revision: 0.3		
Date: 2018-01-23	Time: 오전 11:46:45	Sheet 6 of 26		
File: S905_FLASH.SchDoc				

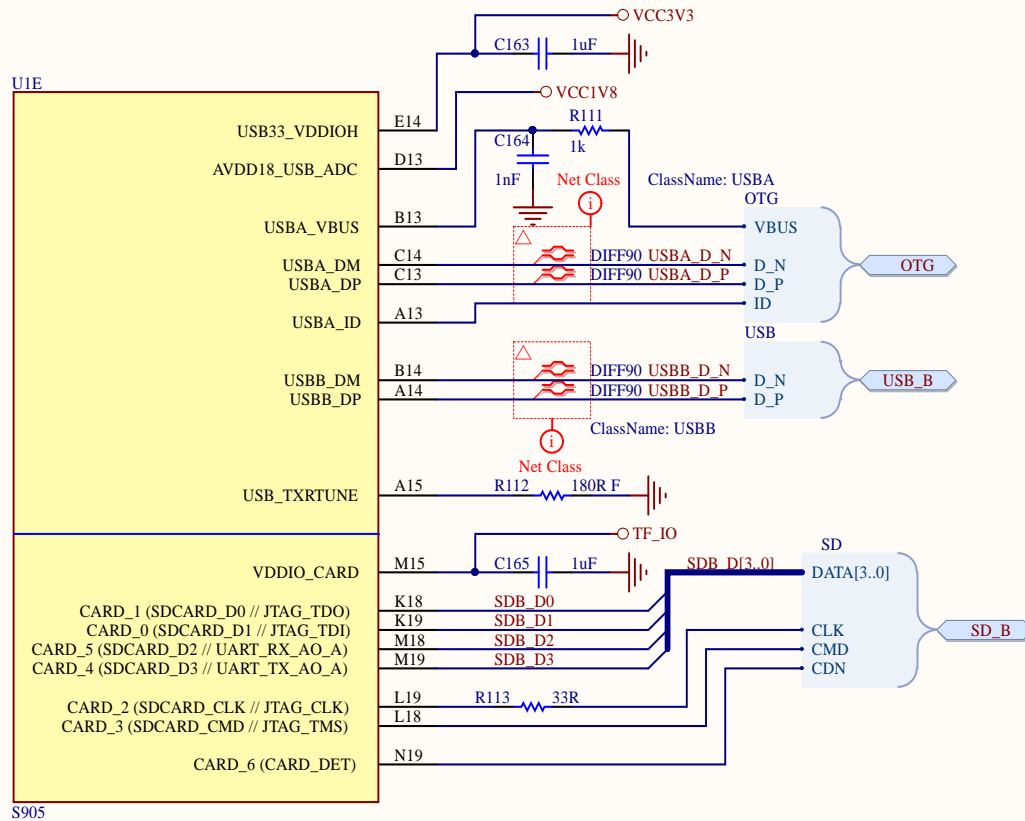
UID




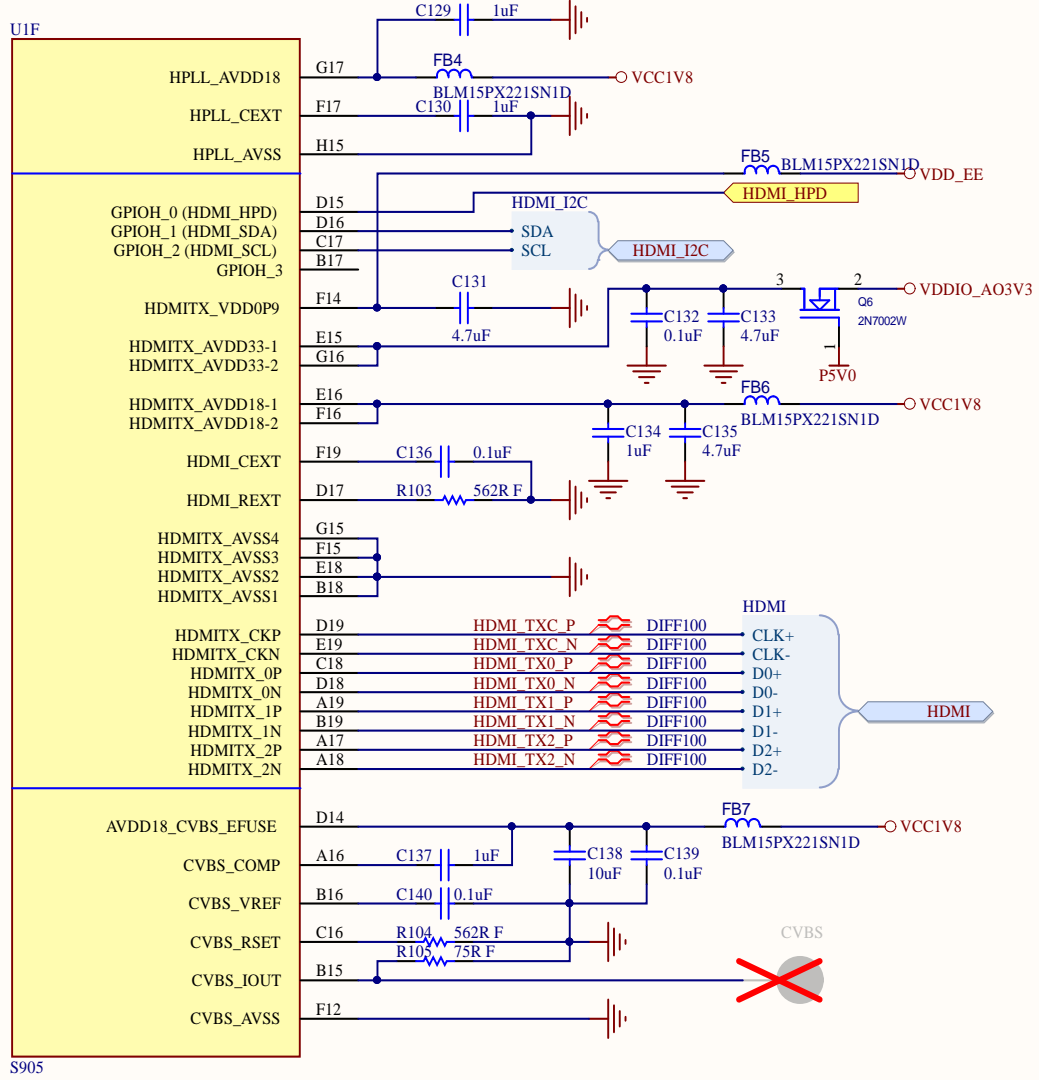
S905




Title <b>S805 IO2</b>			R&D PART 704 Anyang K-center 1591-9 Burim Dongan Gu Gyeonggido South Korea Designed by: <a href="mailto:ruppi.kim@hardkernel.com">ruppi.kim@hardkernel.com</a>	
Size: A4	Number: 7	Revision: 0.3		
Date: 2018-01-23	Time: 오전 11:46:45	Sheet 7 of 26		
File: S905_IO2.SchDoc				



Title <b>S805 USB2 SDB</b>			R&D PART 704 Anyang K-center 1591-9 Burim Dongan Gu Gyeonggi-do South Korea Designed by: <a href="mailto:ruppi.kim@hardkernel.com">ruppi.kim@hardkernel.com</a>	
Size: A4	Number: 8	Revision: 0.3		
Date: 2018-01-23	Time: 오전 11:46:44	Sheet 8 of 26		
File: S905_USB_TFLASH.SchDoc				



Title <b>S805 HDMI</b>			R&D PART 704 Anyang K-center 1591-9 Burim Dongan Gu Gyeonggido South Korea Designed by: <a href="mailto:ruppi.kim@hardkernel.com">ruppi.kim@hardkernel.com</a>	
Size: A4	Number: 8	Revision: 0.3		
Date: 2018-01-23	Time: 오전 11:46:44	Sheet 8 of 26		
File: S905_HDMI.SchDoc				



1

2

3

4

A

A

B

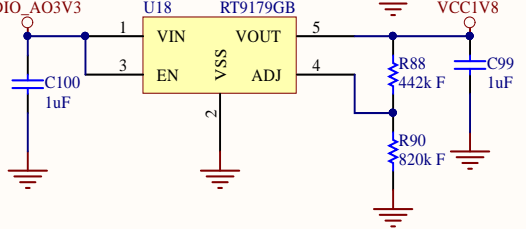
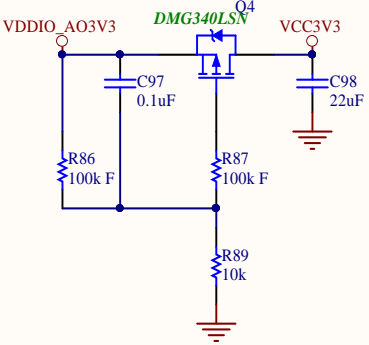
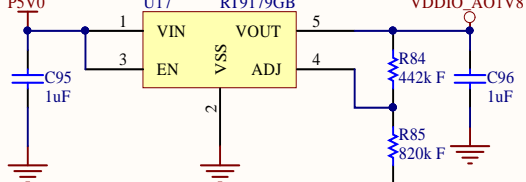
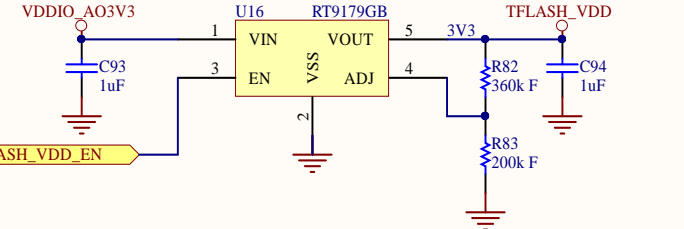
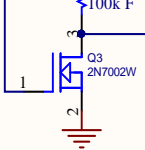
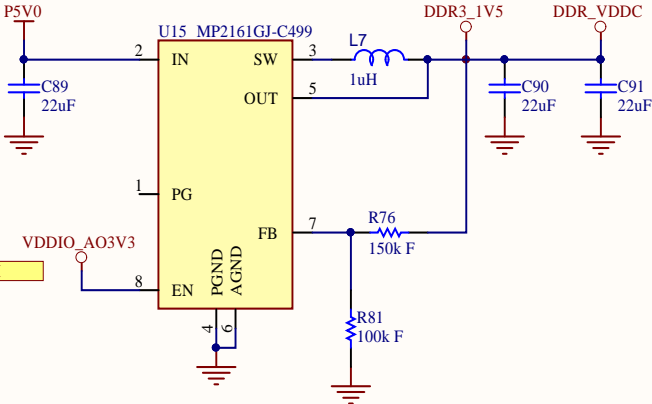
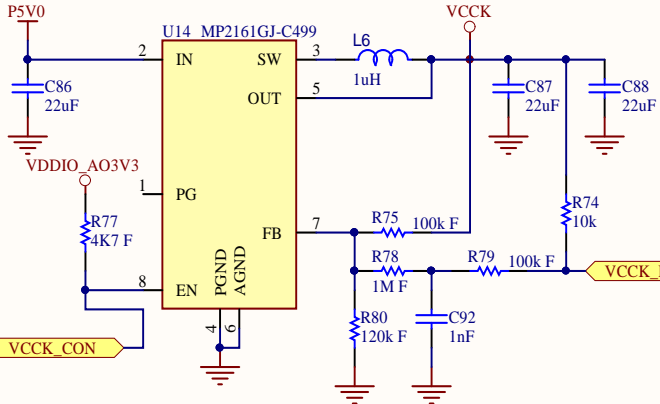
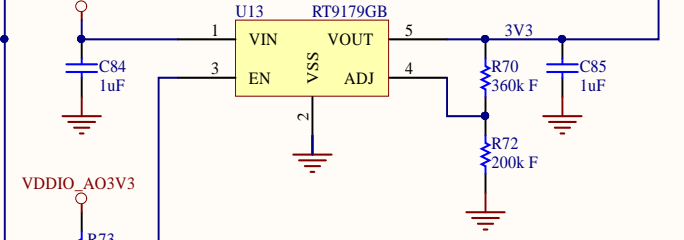
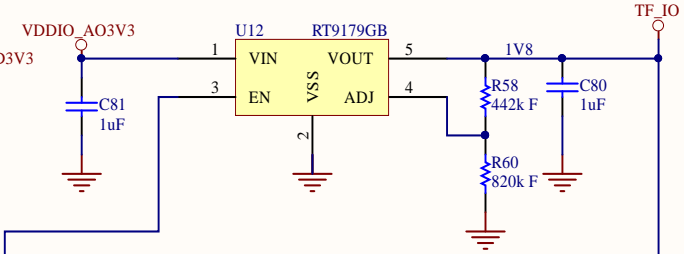
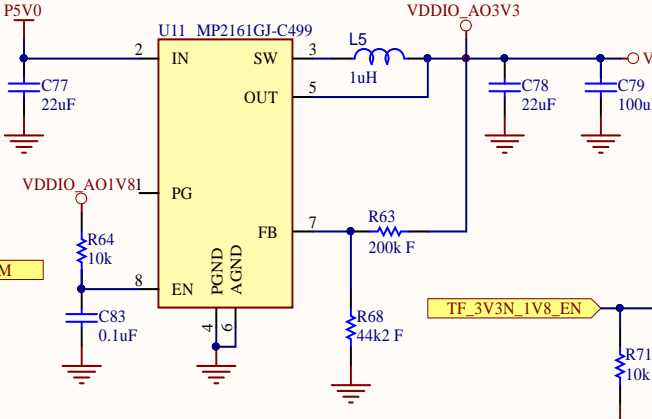
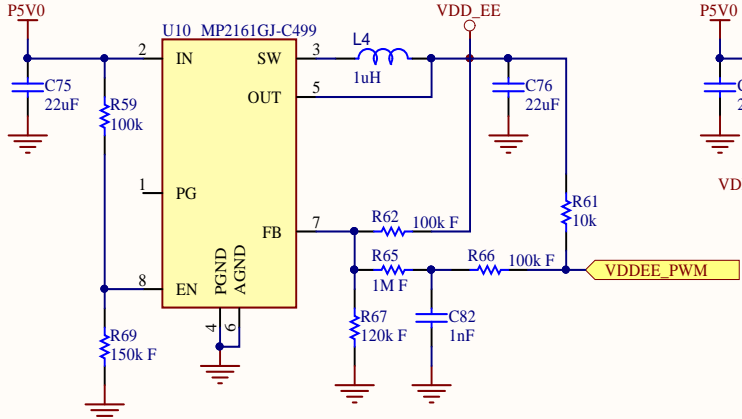
B


C

C

D

D



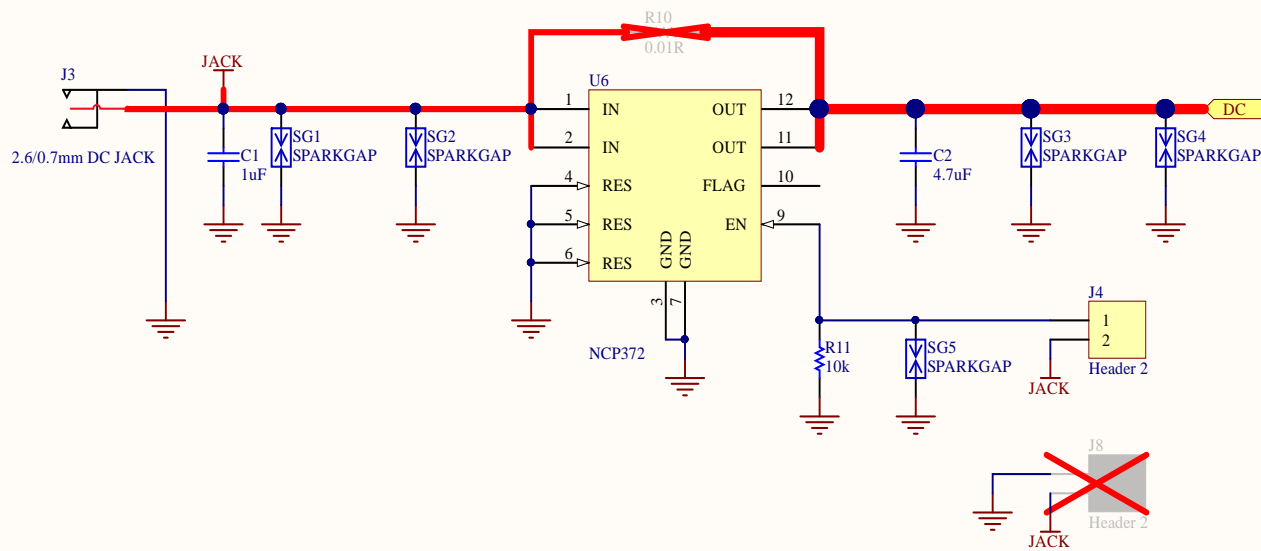
Title <b>POWER</b>			Hardkernel Co.,LTD. 1-605 Shinan Metrokhan 1115 Dalandong, Dongang, Anyang Gyeongido South Korea Designed by: rупpi.kim@hardkernel.com	
Size: A4	Number: 9	Revision: 0.3		
Date: 2018-01-23	Time: 오전 11:46:44	Sheet 9 of 26		
File: POWER.SchDoc				

1

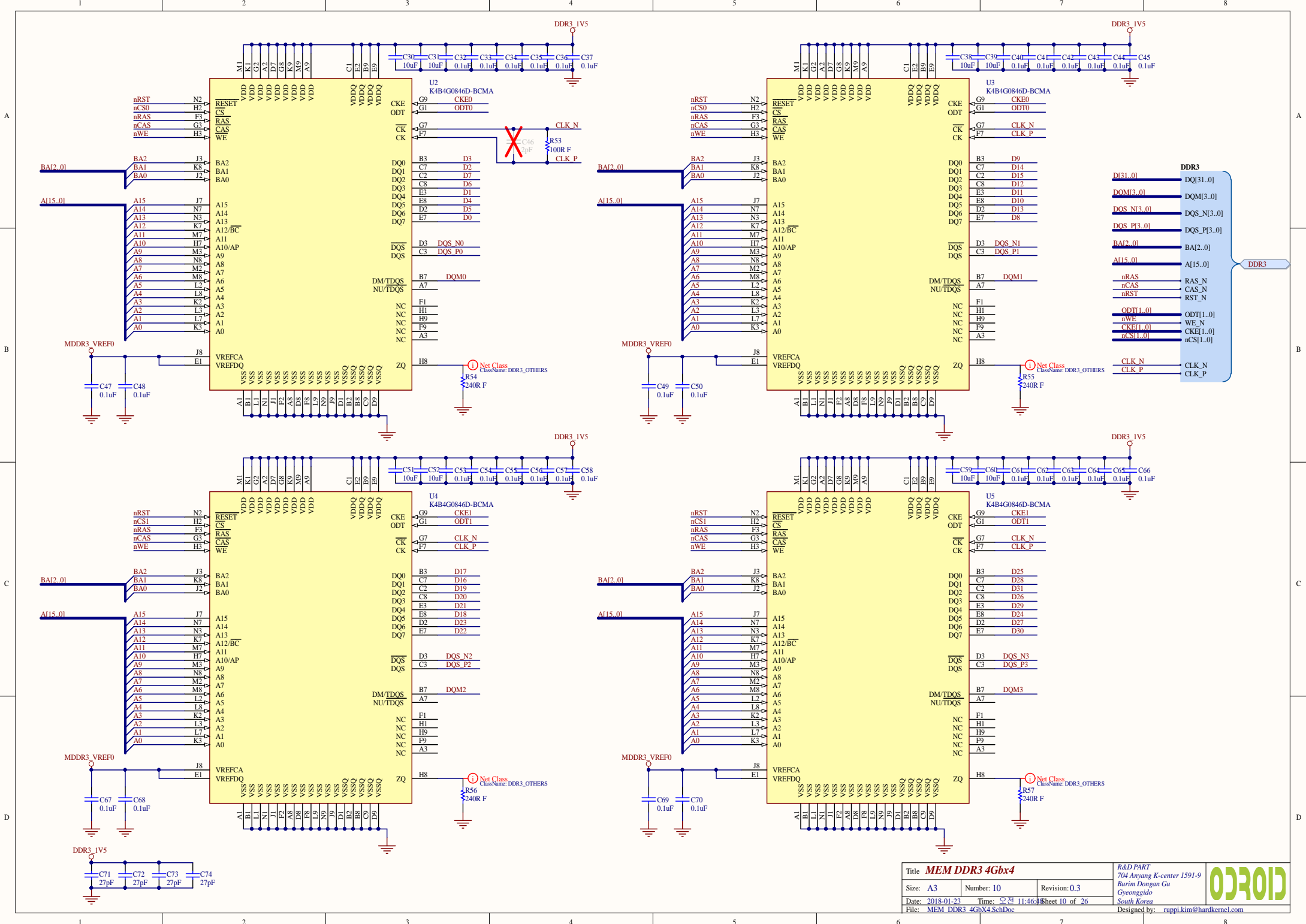
2

3

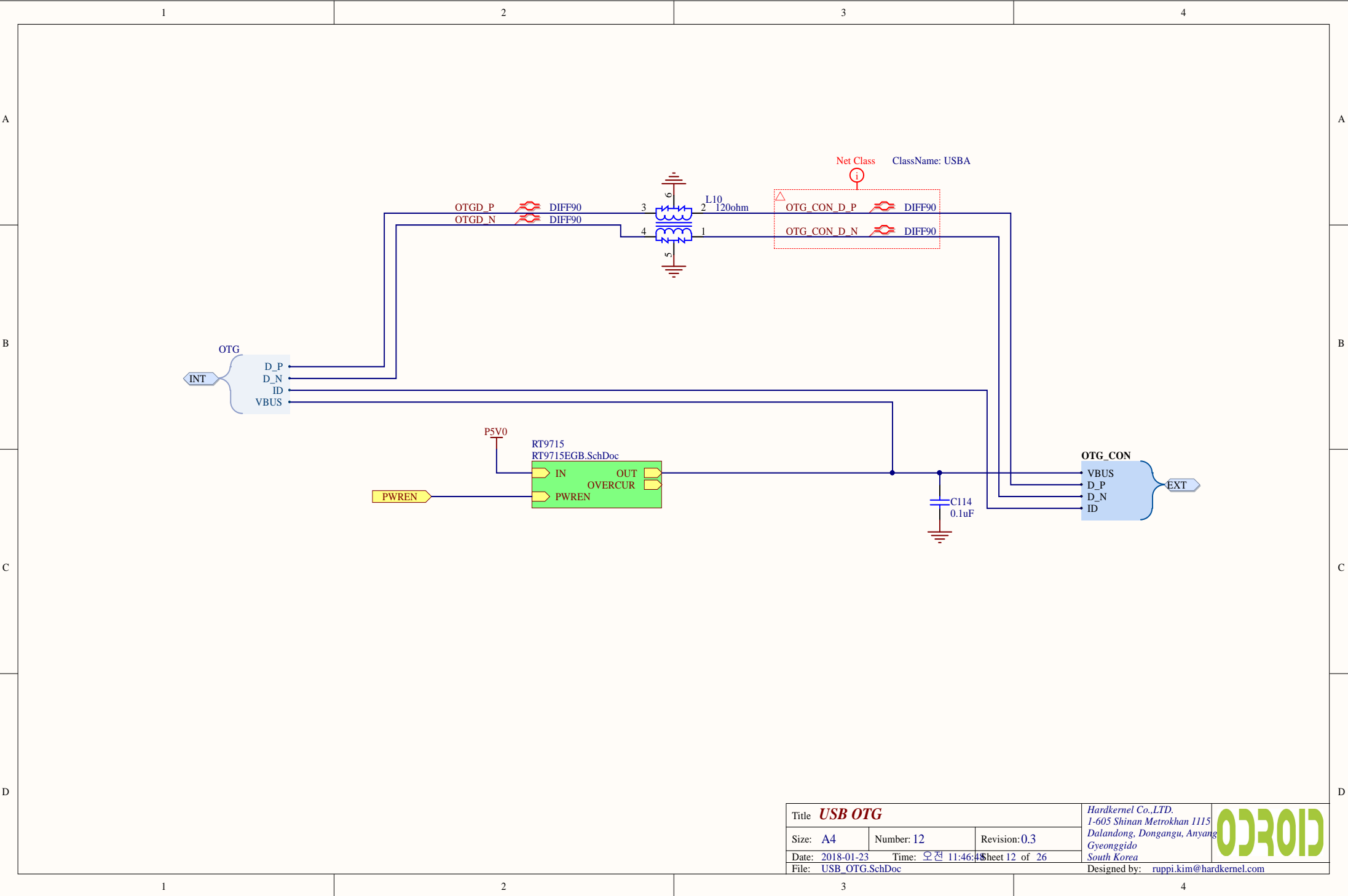
4




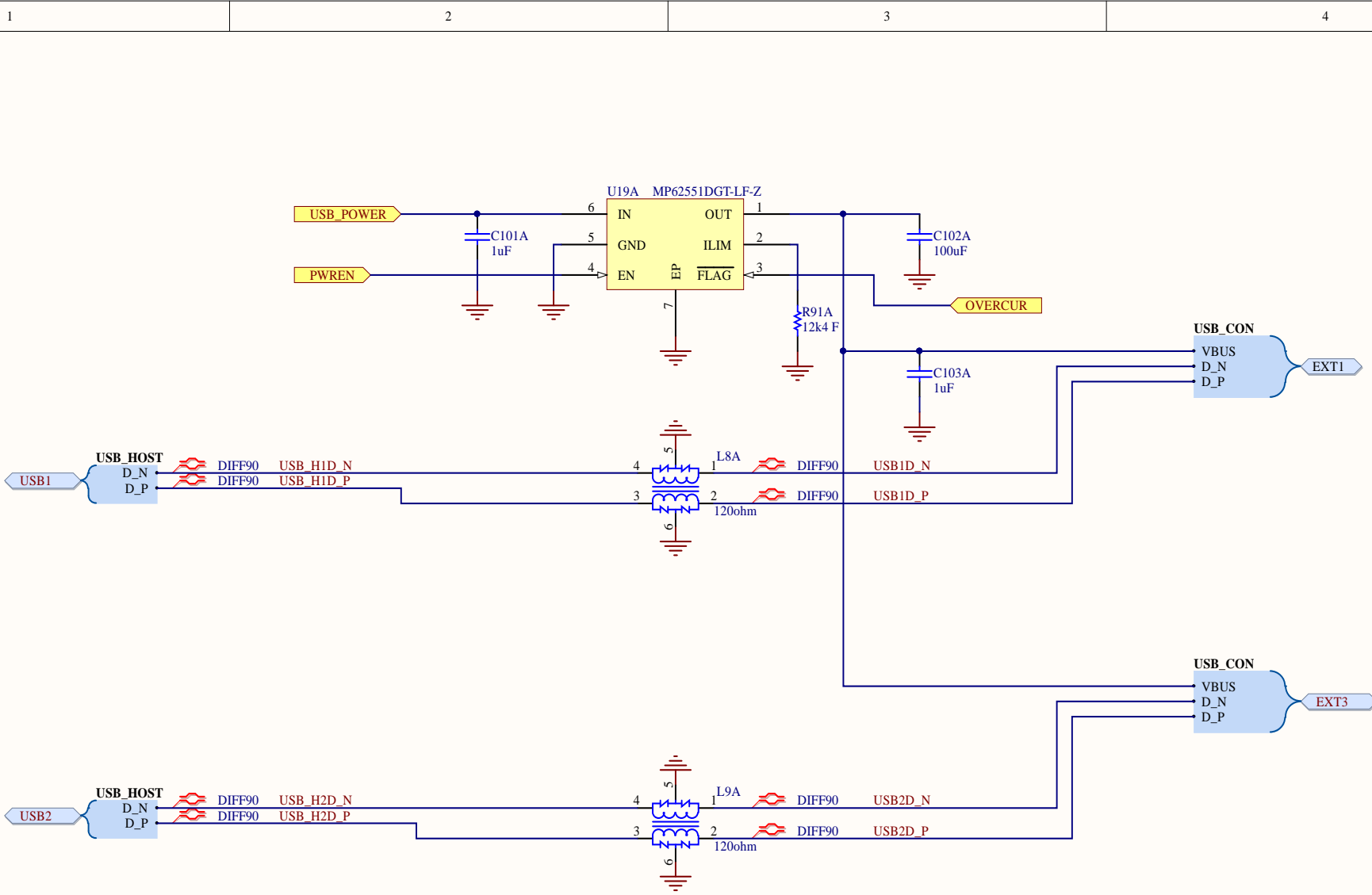
Title <b>DC Jack</b>			Hardkernel Co.,LTD. 704 Anyang K-center 1591-9 Burim, Dongangu, Anyang Gyeongido South Korea	
Size: A4	Number: 9	Revision: 0.3		
Date: 2018-01-23	Time: 오전 11:46:47	Sheet 9 of 26	Designed by: ruppi.kim@hardkernel.com	
File: CON_DCJACK.SchDoc				




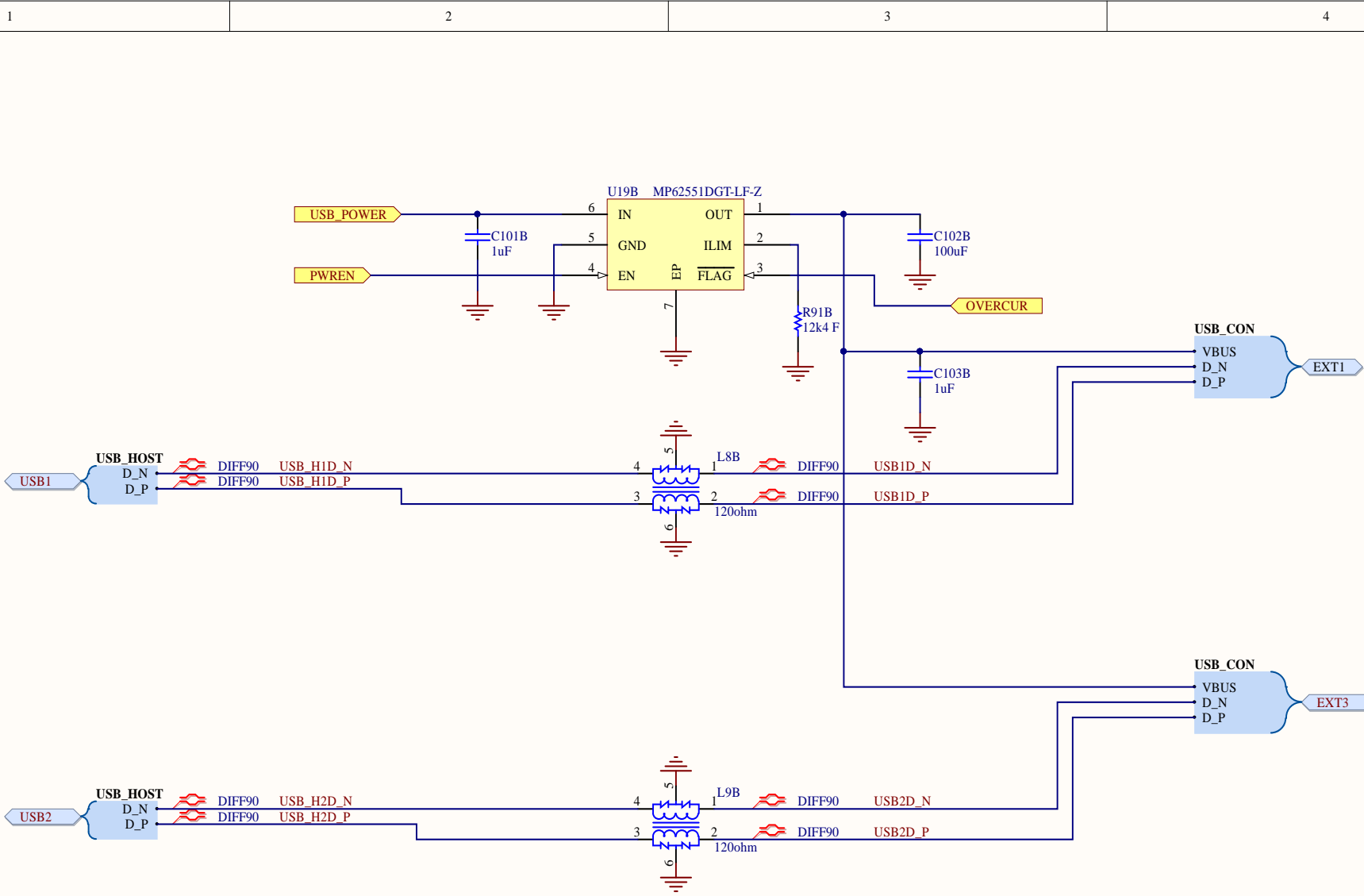
- DDR3**
- D[31..0]    DQ[31..0]
  - DOM[3..0]    DQM[3..0]
  - DQS\_N[3..0]    DQS\_N[3..0]
  - DQS\_P[3..0]    DQS\_P[3..0]
  - BA[2..0]    BA[2..0]
  - A[15..0]    A[15..0]
  - nRAS    RAS\_N
  - nCAS    CAS\_N
  - nRST    RST\_N
  - ODT[1..0]    ODT[1..0]
  - nWE    WE\_N
  - CKE[1..0]    CKE[1..0]
  - nCS[1..0]    nCS[1..0]
  - CLK\_N    CLK\_N
  - CLK\_P    CLK\_P




Title <b>USB OTG</b>			Hardkernel Co.,LTD. 1-605 Shinan Metrokhan 1115 Dalandong, Dongangu, Anyang Gyeonggido South Korea Designed by: <a href="mailto:ruppi.kim@hardkernel.com">ruppi.kim@hardkernel.com</a>	
Size: A4	Number: 12	Revision: 0.3		
Date: 2018-01-23	Time: 오전 11:46:48	Sheet 12 of 26		
File: USB_OTG.SchDoc				

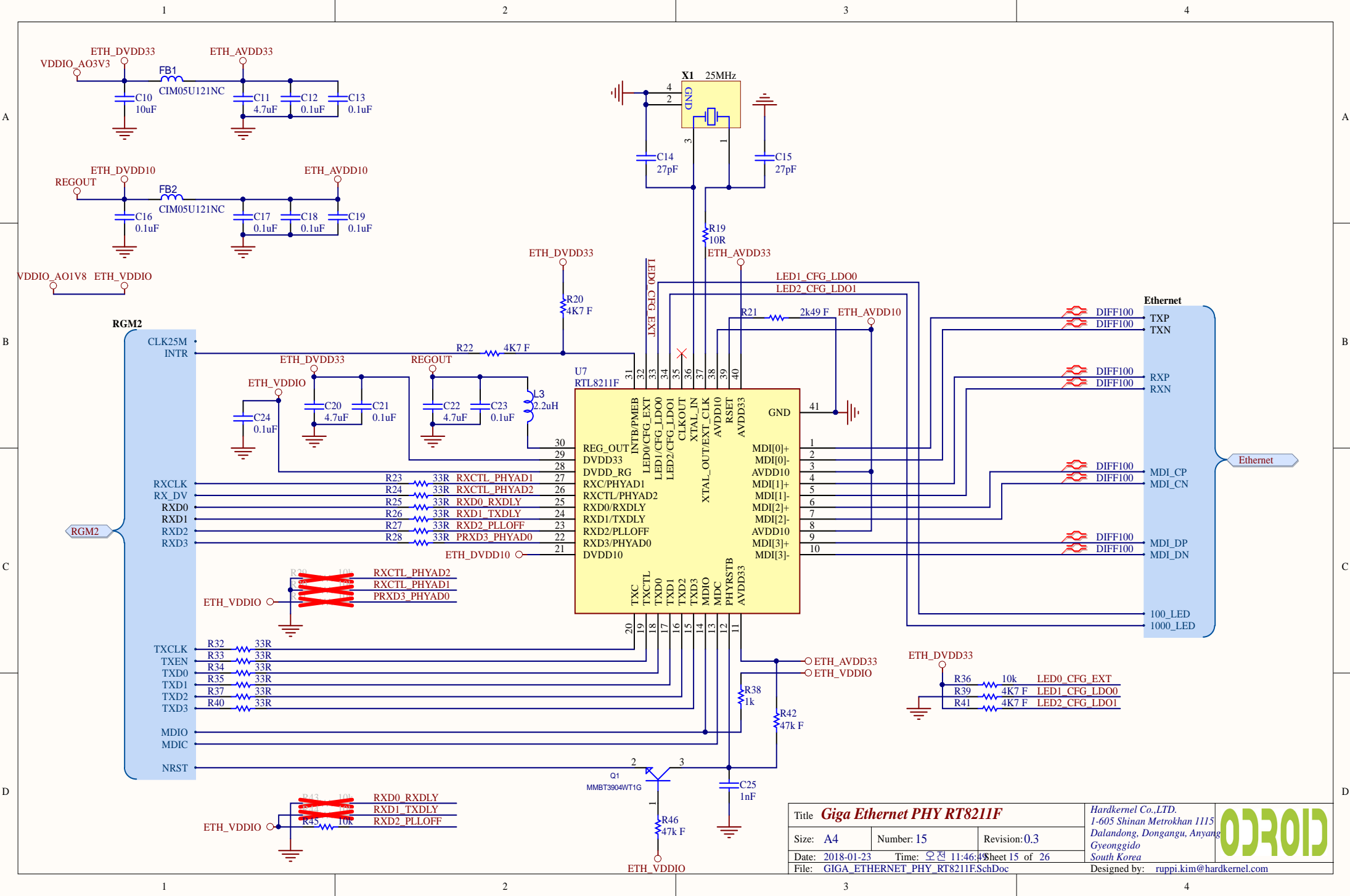


Title <b>USB HOST PWR SW</b>			Hardkernel Co.,LTD. 1-605 Shinan Metrokhan 1115 Dalandong, Dongangu, Anyang Gyeonggido South Korea Designed by: ruppi.kim@hardkernel.com	
Size: A4	Number: 13	Revision: 0.3		
Date: 2018-01-23	Time: 오전 11:46:44	Sheet 13 of 26		
File: USB_HOST_PWR_SW.SchDoc				



Title <b>USB HOST PWR SW</b>			Hardkernel Co.,LTD. 1-605 Shinan Metrokhan 1115 Dalandong, Dongangu, Anyang Gyeonggido South Korea Designed by: ruppi.kim@hardkernel.com	
Size: A4	Number: 13	Revision:0.3		
Date: 2018-01-23	Time: 오전 11:46:44	Sheet 13 of 26		
File: USB_HOST_PWR_SW.SchDoc				





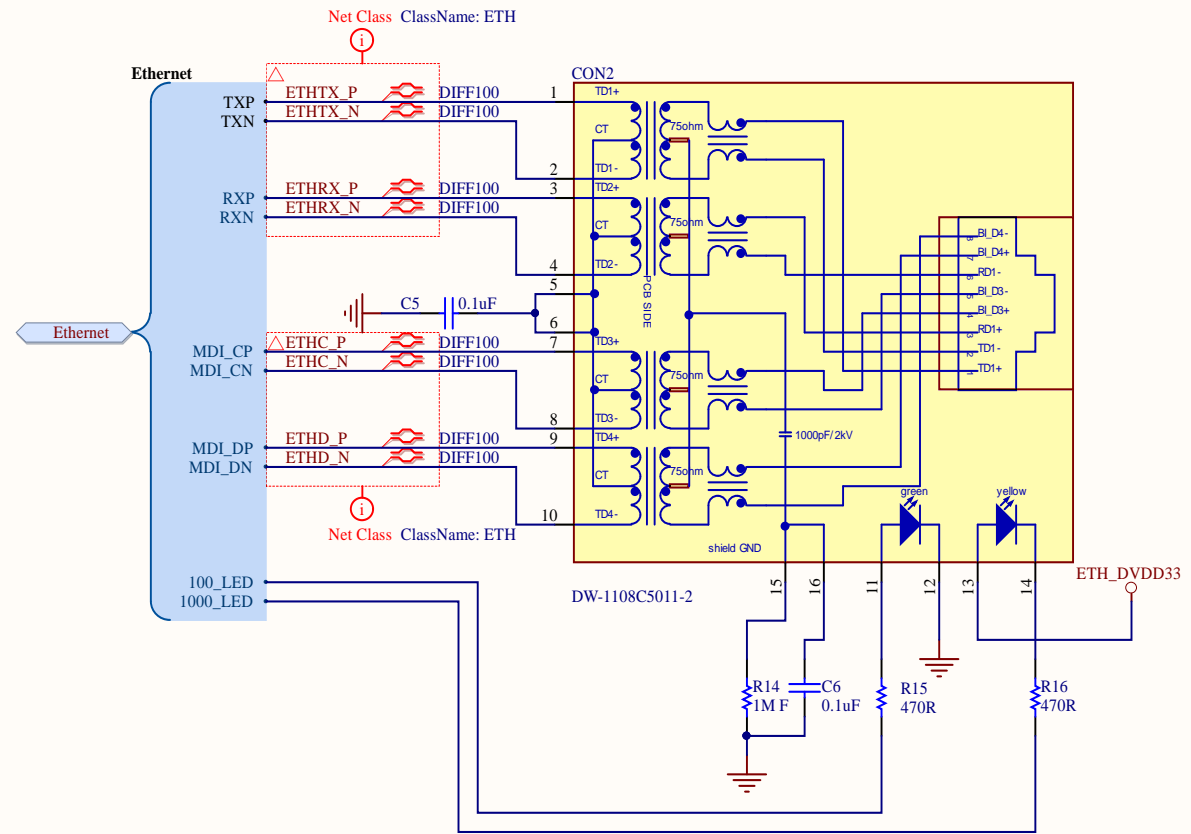
Title **Giga Ethernet PHY RT8211F**


Size: A4	Number: 15	Revision: 0.3
Date: 2018-01-23	Time: 오전 11:46:43	Sheet 15 of 26
File: GIGA_ETHERNET_PHY_RT8211F.SchDoc		

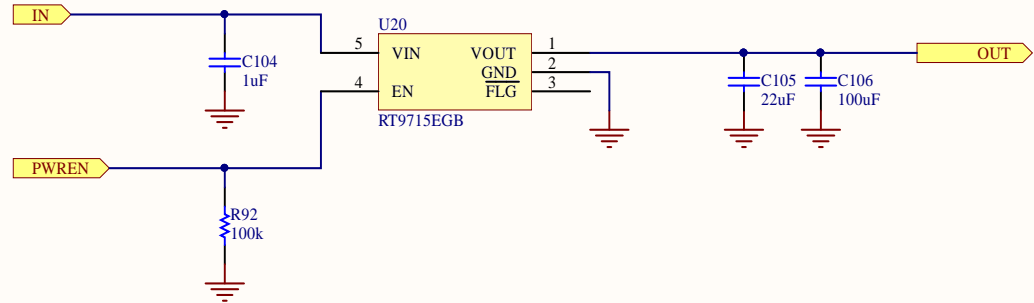
Hardkernel Co.,LTD.  
 1-605 Shinan Metrokhan 1115  
 Dalandong, Dongangu, Anyang  
 Gyeonggido  
 South Korea  
 Designed by: ruppi.kim@hardkernel.com








Title <b>Giga Ethernet</b>			Hardkernel Co.,LTD. 704 Anyang K-center 1591-9 Burim, Dongangu, Anyang Gyeonggido South Korea Designed by: <a href="mailto:rupper.kim@hardkernel.com">rupper.kim@hardkernel.com</a>	
Size: A4	Number: 16	Revision: 0.3		
Date: 2018-01-23	Time: 오전 11:46:50	Sheet 16 of 26		
File: CON_GIGA_ETH.SchDoc				



Title <b>USB HOST Power Switch</b>			Hardkernel Co.,LTD. 704 Anyang K-center 1591-9 Burim, Dongangu, Anyang Gyeonggi-do South Korea	
Size: A4	Number: 17	Revision: 0.3		
Date: 2018-01-23	Time: 오전 11:46:50	Sheet 17 of 26	Designed by: <a href="mailto:ruppi.kim@hardkernel.com">ruppi.kim@hardkernel.com</a>	
File: RT9715EGB.SchDoc				

1

2

3

4

A

A

B

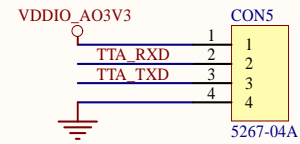
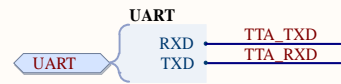
B


C

C

D

D



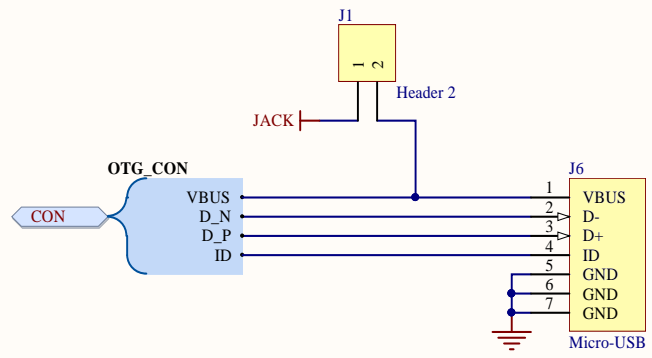
Title <b>CON_UART</b>			<i>Hardkernel Co.,LTD.</i> 704 Anyang K-center 1591-9 Burim, Dongangu, Anyang Gyeonggido South Korea Designed by: <a href="mailto:ruppi.kim@hardkernel.com">ruppi.kim@hardkernel.com</a>	
Size: A4	Number: 18	Revision:0.3		
Date: 2018-01-23	Time: 오전 11:46:50	Sheet 18 of 26		
File: CON_UART.SchDoc				


1

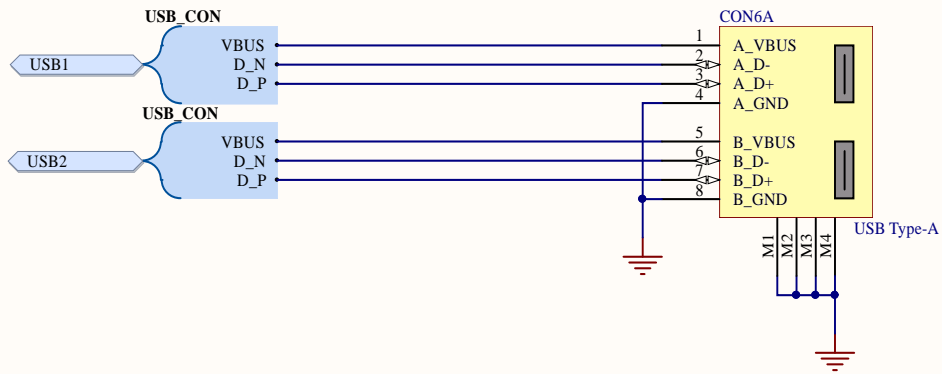
2

3

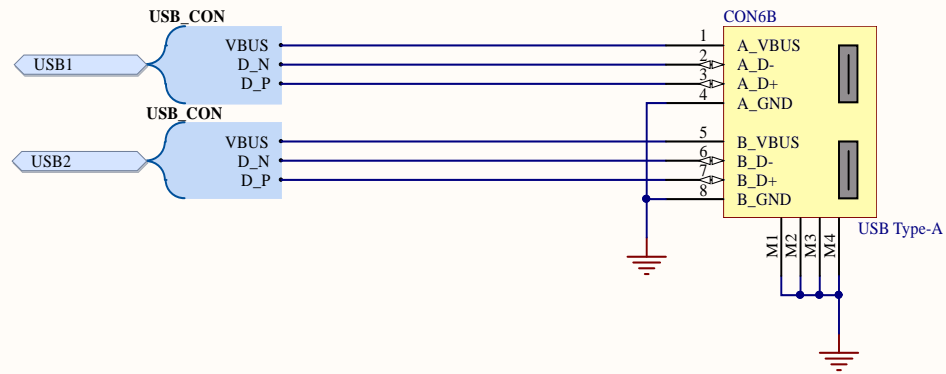
4



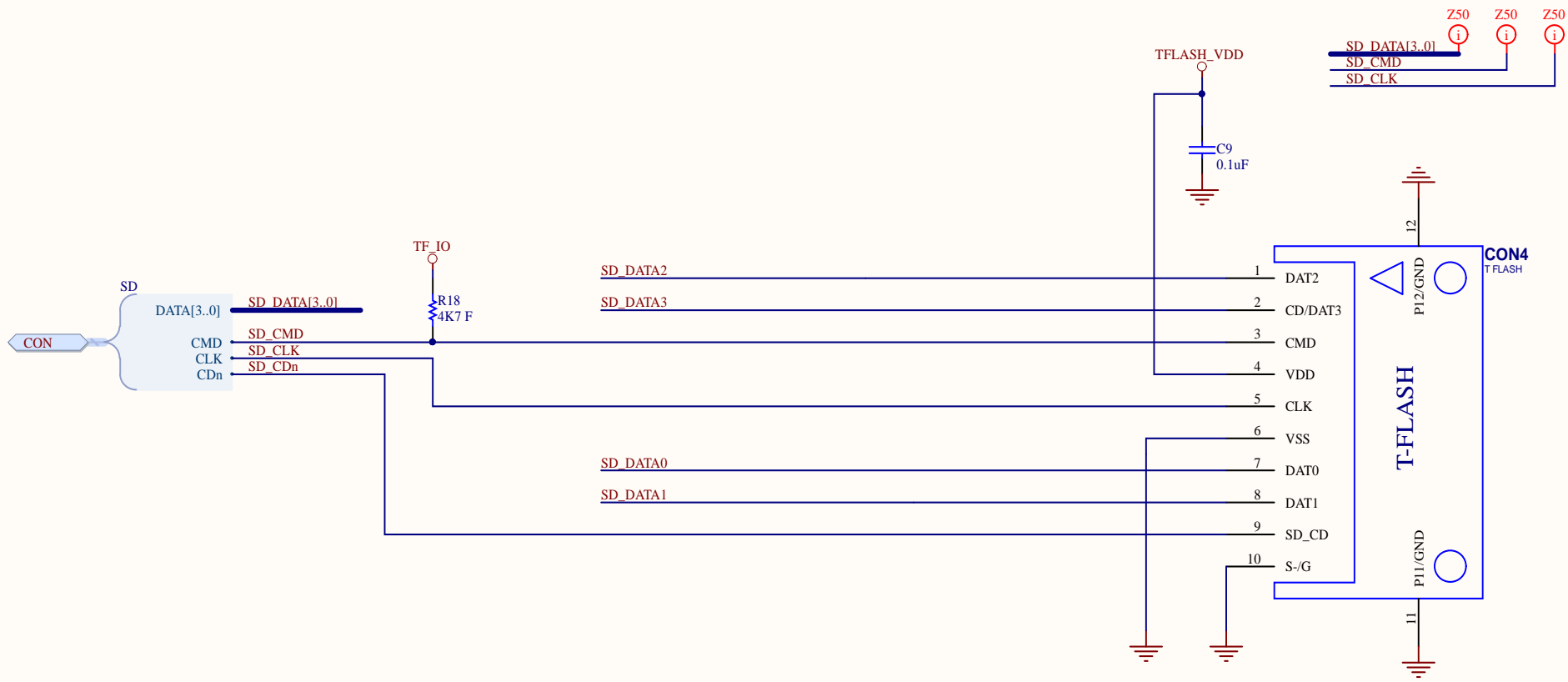
Title <b>Micro USB Connector</b>			Hardkernel Co.,LTD. 704 Anyang K-center 1591-9 Burim, Dongangu, Anyang Kyeonggido South Korea	
Size: A4	Number: 19	Revision:0.3		
Date: 2018-01-23	Time: 오전 11:46:50		Sheet 19 of 26	
File: CON_MICROUSB.SchDoc			Designed by: ruppi.kim@hardkernel.com	




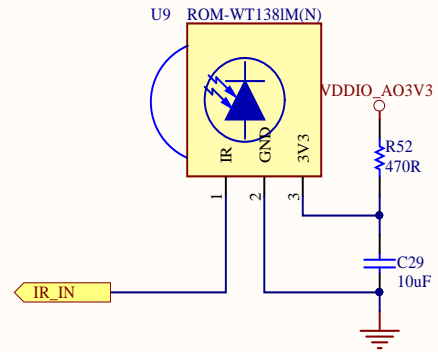
Title <b>USB 2.0 Type A Connector</b>			Hardkernel Co.,LTD. 1-605 Shinan Metrokhan 1115 Dalandong, Dongangu, Anyang Gyeonggido South Korea	
Size: A4	Number: 20	Revision:0.3		
Date: 2018-01-23	Time: 오전 11:46:5	Sheet 20 of 26	Designed by: <a href="mailto:ruppi.kim@hardkernel.com">ruppi.kim@hardkernel.com</a>	
File: CON_USB_RA.SchDoc				




Title <b>USB 2.0 Type A Connector</b>			Hardkernel Co.,LTD. 1-605 Shinan Metrokhan 1115 Dalandong, Dongangu, Anyang Gyeonggido South Korea	
Size: A4	Number: 20	Revision:0.3		
Date: 2018-01-23	Time: 오전 11:46:5	Sheet 20 of 26		
File: CON_USB_RA.SchDoc			Designed by: ruppi.kim@hardkernel.com	

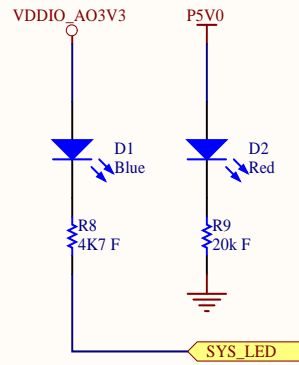



Title <b>Micro SD Socket</b>			Hardkernel Co.,LTD. 704 Anyang K-center 1591-9 Burim, Dongangu, Anyang Gyeonggido South Korea Designed by: <a href="mailto:ruppi.kim@hardkernel.com">ruppi.kim@hardkernel.com</a>	
Size: A4	Number: 21	Revision:0.3		
Date: 2018-01-23	Time: 오전 11:46:5 Sheet 21 of 26			
File: CON_MICROSD_HD08-AL00335.SchDoc				

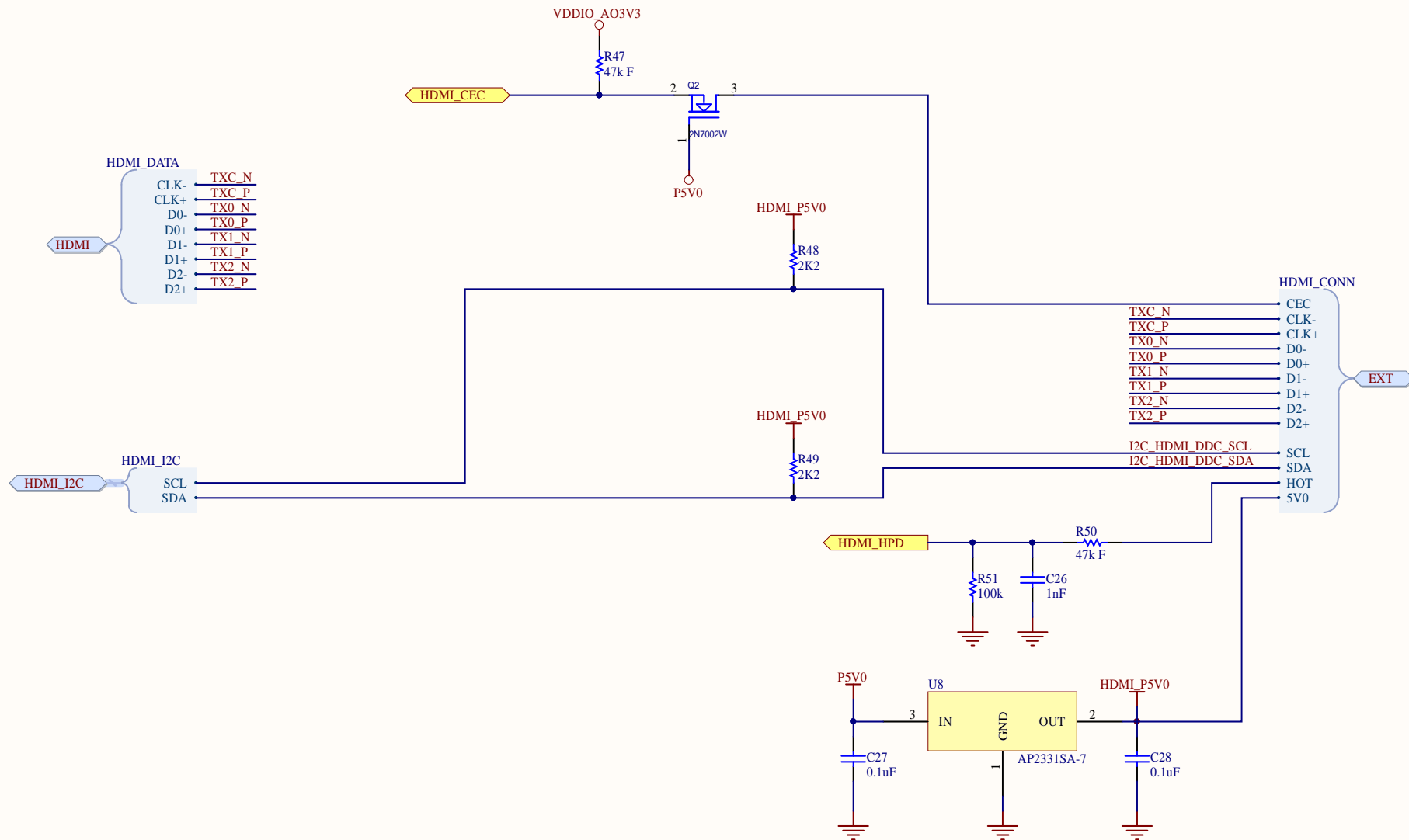



Title <b>Remote Control Receiver</b>			<i>Hardkernel Co.,LTD.</i> 1-605 Shinan Metrokhan 1115 Dalandong, Dongangu, Anyang Gyeonggido South Korea	
Size: A4	Number: 22	Revision: 0.3		
Date: 2018-01-23	Time: 오전 11:46:5	Sheet 22 of 26	Designed by: <a href="mailto:ruppi.kim@hardkernel.com">ruppi.kim@hardkernel.com</a>	
File: IR.SchDoc				

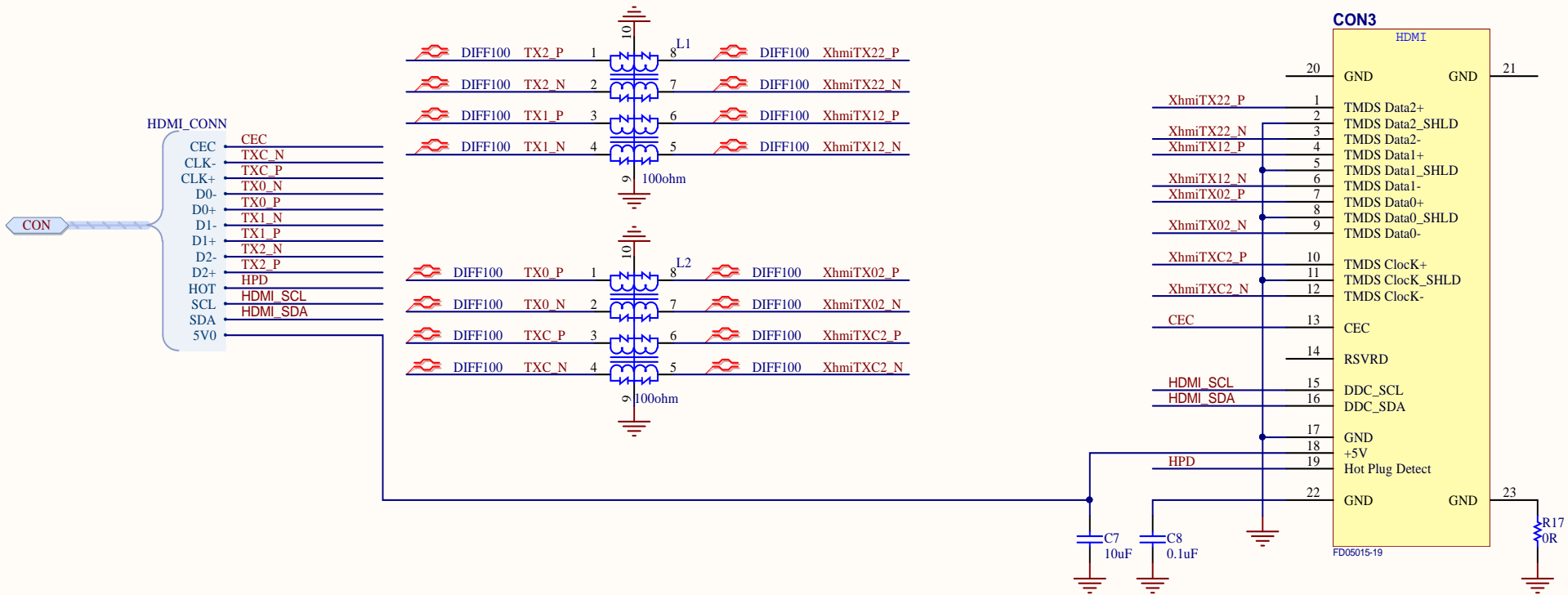




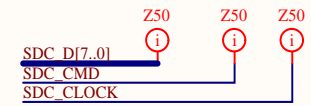
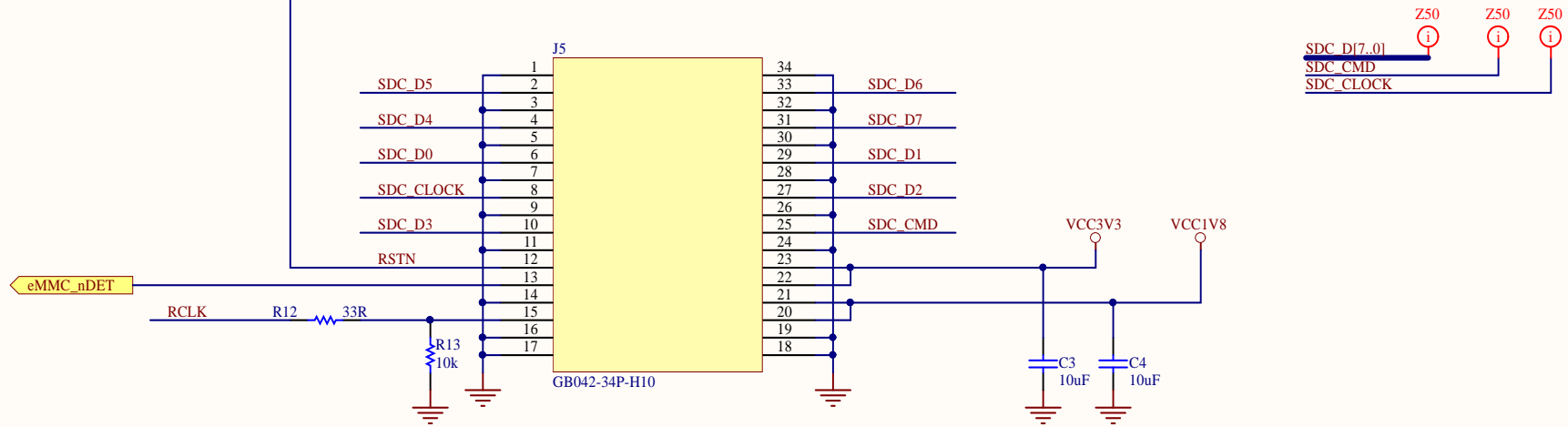
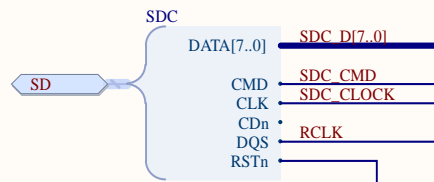
Title <b>LEDs</b>			Hardkernel Co.,LTD. 704 Anyang K-center 1591-9 Burim Dongan Gu Gyeonggido South Korea Designed by: <a href="mailto:ruppi.kim@hardkernel.com">ruppi.kim@hardkernel.com</a>	
Size: A4	Number: 23	Revision: 0.3		
Date: 2018-01-23	Time: 오전 11:46:55	Sheet 23 of 26		
File: C_LEDS.SchDoc				



Title <b>HDMI 2C</b>			Hardkernel Co.,LTD. 704 Anyang K-center 1591-9 Burim, Dongangu, Anyang Kyeonggido South Korea Designed by: <a href="mailto:ruppi.kim@hardkernel.com">ruppi.kim@hardkernel.com</a>	
Size: A4	Number: 24	Revision: 0.3		
Date: 2018-01-23	Time: 오전 11:46:55	Sheet 24 of 26		
File: HDMI_I2C.SchDoc				



Title <b>HDMI Connector</b>			Hardkernel Co.,LTD. 704 Anyang K-center 1591-9 Burim, Dongangu, Anyang Kyeongido South Korea	
Size: A4	Number: 25	Revision: 0.3		
Date: 2018-01-23	Time: 오전 11:46:53	Sheet 25 of 26	Designed by: ruppi.kim@hardkernel.com	
File: CON_HDMI.SchDoc				



Title <b>CON_EMMC</b>			Hardkernel Co.,LTD. 704 Anyang K-center 1591-9 Burim Dongan Gu Gyeonggido South Korea Designed by: <a href="mailto:ruppi.kim@hardkernel.com">ruppi.kim@hardkernel.com</a>	
Size: A4	Number: 26	Revision: 0.3		
Date: 2018-01-23	Time: 오전 11:46:53	Sheet 26 of 26		
File: CON_EMMC.SchDoc				